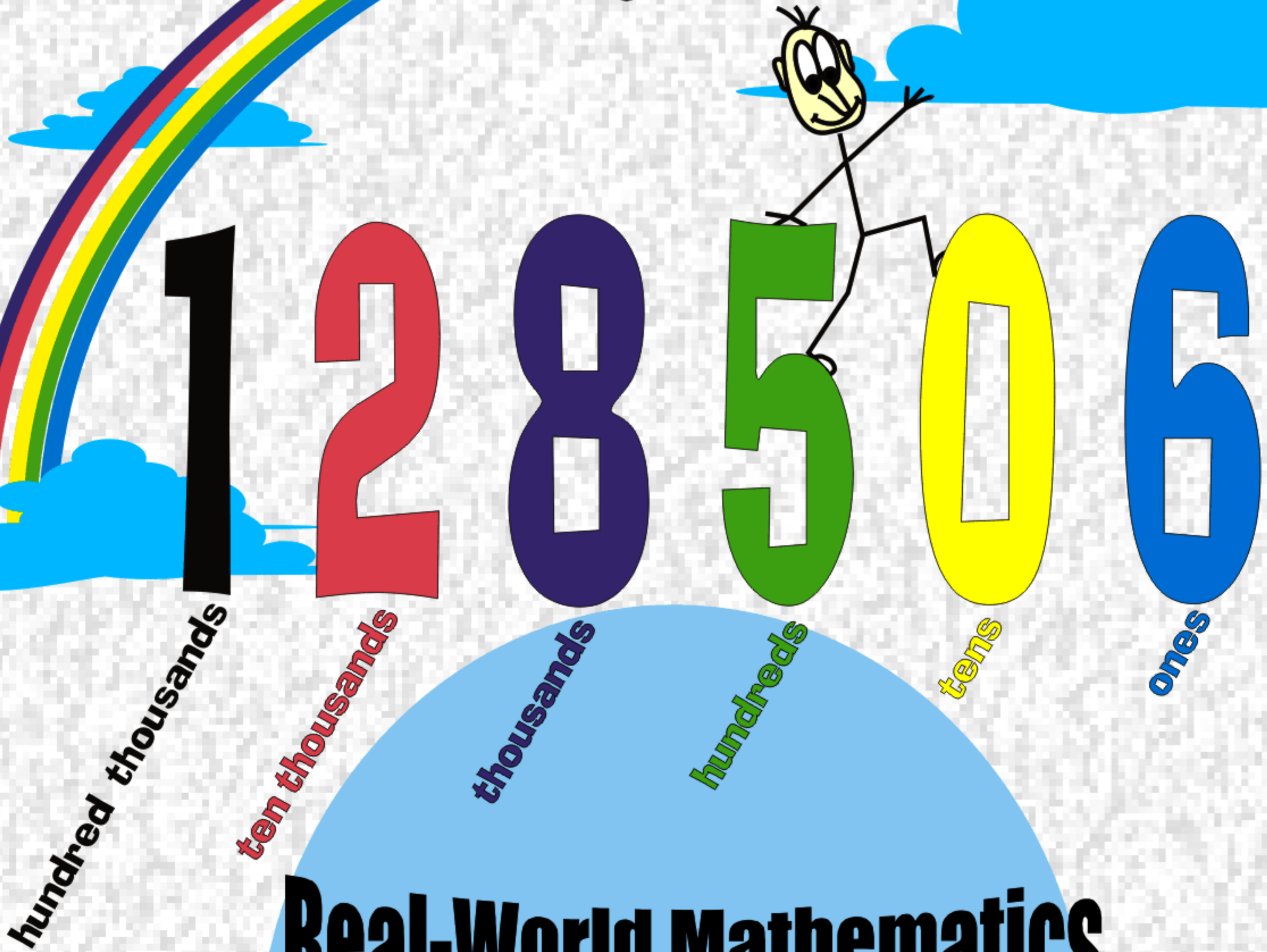


Place Value

From the *Just Turn & Share*TM Centers Series

Kathryn Robinson



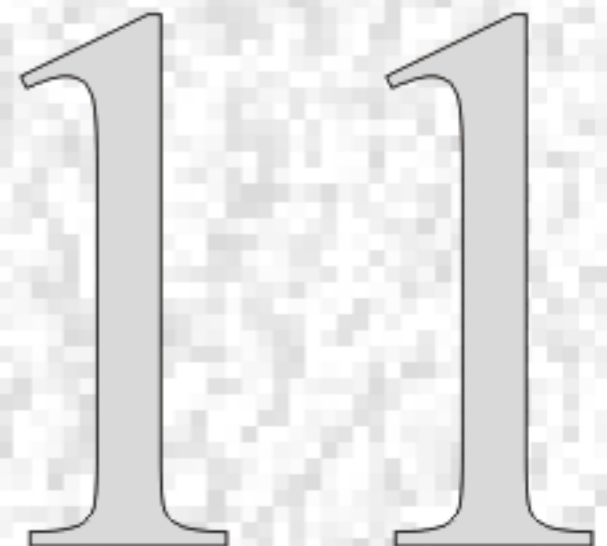
Real-World Mathematics

www.writemath.com

Grades 3 - 5



WriteMath Enterprises
2303 Marseille Ct. Suite 104
Valrico, Fl. 33594-7248
813 685 0392



Just Turn & Share™
Math Centers Series




Place Value

Volume 11

(Grades 3 – 5)

Real-World
Mathematics
that
students
understand

Kathryn Robinson

 WriteMath Enterprises
Valrico, Florida

No parts of this publication may be stored in a retrieval system,
or transmitted, in any form, or by any means – electronic,
mechanical, photocopying, recording, or otherwise – without the
prior written permission of the copyright owner.

Copyright © 1995 WriteMath Publications

All rights reserved – Printed in the U.S.A.

Published by WriteMath Enterprises

2303 Marseille Ct., Valrico, FL 33594

© Kathryn Robinson

11

- I dedicate this series to my husband, Steve Robinson, for advising, supporting, guiding, and editing years of work and making my dreams possible.
- I would also like to dedicate this series to my brother-in-law, Michael Ghormley, for his expert mathematical advice, patience, and willingness to answer my constant questions over a period of several years.

This book is published by WriteMath Enterprises.

ISBN 0-931970-05-X

Graphics from: Corel Draw 8 (Corel Corporation) and Microsoft Publisher

Copyright laws prohibit the duplication of any materials in this publication under penalty of law.

Introduction

Place Value is a great center in the ‘Just Turn & Share’ Series. This series gives students **daily** practice in 16 math areas or a math topic of your preference. After gradually working in a center-based atmosphere, students can tackle all 16 centers in half an hour. This program can be used in conjunction with any regular math series. Some students have difficulty attaining proficiency in specific math areas due to the limited practice provided by a textbook. ‘Just Turn & Share’ math centers provide real-world practice with mathematical concepts.

The series is designed for center-based review of concepts or as whole-group overhead instruction. These lessons are designed to provide practice for 30 weeks of the school year. The program contains three-week sets worth of practice in each concept. Each concept is covered for three weeks before a new concept is introduced to the students. During each three-week period, only the numbers change - not the concepts. The first week is designed as a review of the concept, the second provides further practice, and the third is set apart for mastery of the concept. As your students become more proficient in one particular concept, you might choose to eliminate the third week set to move to a new concept. The third week then serves as a review during the last ten weeks of the year or intensive practice prior to standardized testing.

The new concept for the week is listed in the *Table of Contents*. At the onset of a new concept, we recommend that teachers conduct a mini-lesson before releasing students to work the centers. Each center contains concept-information sheets with student-directions about how to perform individual concepts. These information sheets have a third-grade readability level. I recommend that the information sheets remain at the centers as long as possible to accommodate new students entering the class throughout the year. Many weeks in the series contain reference sheets that contain data that students will need to perform certain operations. Both the information sheets and reference sheets are located at the beginning of each week.

This center contains:

1. An information sheet designed to remain at the center.
It relates pertinent information about the concepts of weight & Mass.
2. Daily student activity sheets

Suggestion:

Each center sheet should be placed in a plastic protective COVER.



Each center is designed for grades 3 through 5 as follows.

- (*) **Grade 3** students calculate the single asterisk activities
- (**) **Grade 4** students calculate the double asterisk activities
- (***) **Grade 5** students calculate the triple asterisk activities

If you are using more than five centers in the classroom, I recommend using the answer sheet to help students keep track of the completed centers. Accompanying each complete set is a set of corrected answer sheets that help students self-correct their responses. Students self-correct their answer sheets three out of the four days. Self-correction prevents embarrassment and allows students time to practice each concept before an assessment. I place a sign-up sheet in the classroom to allow students to sign up for assistance in their less proficient areas. I assist those that have signed up for help during the next day's *Center Time*. The fourth day of each week is teacher-corrected and entered in a grade book. If you have any questions please feel free to e-mail us on our website:

www.writemath.com.

I know that you will have as much fun employing this program as I have had designing it. Remember the program is as simple as *turning each page and sharing* the activities with your class. So go ahead just...

Turn & Share

Name:		Date:		Day #1	Day #2	Day #3	Day #4
Time:		Estimation:		Calendar:			
<input type="checkbox"/>	<input type="checkbox"/>	<input type="checkbox"/>	<input type="checkbox"/>	<input type="checkbox"/>	<input type="checkbox"/>	<input type="checkbox"/>	<input type="checkbox"/>
<input type="checkbox"/>	<input type="checkbox"/>	<input type="checkbox"/>	<input type="checkbox"/>	<input type="checkbox"/>	<input type="checkbox"/>	<input type="checkbox"/>	<input type="checkbox"/>
Number Sense:		Grid:		Temperature:			
<input type="checkbox"/>	<input type="checkbox"/>	<input type="checkbox"/>	<input type="checkbox"/>	<input type="checkbox"/>	<input type="checkbox"/>	<input type="checkbox"/>	<input type="checkbox"/>
<input type="checkbox"/>	<input type="checkbox"/>	<input type="checkbox"/>	<input type="checkbox"/>	<input type="checkbox"/>	<input type="checkbox"/>	<input type="checkbox"/>	<input type="checkbox"/>
Place Value:		Volume:		Weight/Mass:			
<input type="checkbox"/>	<input type="checkbox"/>	<input type="checkbox"/>	<input type="checkbox"/>	<input type="checkbox"/>	<input type="checkbox"/>	<input type="checkbox"/>	<input type="checkbox"/>
<input type="checkbox"/>	<input type="checkbox"/>	<input type="checkbox"/>	<input type="checkbox"/>	<input type="checkbox"/>	<input type="checkbox"/>	<input type="checkbox"/>	<input type="checkbox"/>
Algebra:		<input type="checkbox"/>		<input type="checkbox"/>			
Graph:		<input type="checkbox"/>		<input type="checkbox"/>			
<input type="checkbox"/>		<input type="checkbox"/>		<input type="checkbox"/>			
<input type="checkbox"/>		<input type="checkbox"/>		<input type="checkbox"/>			
<input type="checkbox"/>		<input type="checkbox"/>		<input type="checkbox"/>			

Linear Measure:		Fractions/Decimals:	
<input type="checkbox"/>	<input type="checkbox"/>	<input type="checkbox"/>	<input type="checkbox"/>
<input type="checkbox"/>	<input type="checkbox"/>	<input type="checkbox"/>	<input type="checkbox"/>
Geometry:			
<input type="checkbox"/>	<input type="checkbox"/>	<input type="checkbox"/>	<input type="checkbox"/>
Money:			
<input type="checkbox"/>	<input type="checkbox"/>	<input type="checkbox"/>	<input type="checkbox"/>
Thinking:			
<i>range:</i>	<i>median:</i>	<i>mean/average:</i>	
<input type="checkbox"/>	<input type="checkbox"/>	<input type="checkbox"/>	
	<i>mode:</i>		
	<input type="checkbox"/>		

Contents

Introduction	III
Blank Answer Sheet.....	VI
Contents.....	VIII
Whole Number Information.....	2
<i>Week 1: Ones, Tens, Hundreds</i>	3
<i>Week 2: Tens, Hundreds, Thousands</i>	7
<i>Week 3: Ones, Tens, Hundreds, Thousands</i>	11
<i>Week 4: Hundreds, Thousands, Ten Thousands</i>	15
<i>Week 5: Ones, Tens, Hundreds, Thousands, Ten Thousands</i>	19
<i>Week 6: Hundreds, Thousands, Ten Thousands, Hundred Thousands</i>	23
<i>Week 7: Thousands, Ten Thousands, Millions</i>	27
<i>Week 8: Ones – Hundred Thousands</i>	31
<i>Week 9: Increasing & Decreasing Positions</i>	35
Standard, Written, and Expanded Forms of Numbers Information.....	39
<i>Week 10: Place Value & Rounding</i>	40
Expanded Form	
Word Form	
<i>Week 11: Place Value & Rounding</i>	44
Expanded Form	

Word Form

<i>Week 12:</i> Place Value & Rounding.....	48
Expanded Form	
Word Form	
<i>Week 13:</i> Digit Positions.....	52
Standard Form	
Increasing & Decreasing Positions	
<i>Week 14:</i> Digit Positions.....	56
Standard Form	
Increasing & Decreasing Positions	
<i>Week 15:</i> Digit Positions.....	60
Standard Form	
Increasing & Decreasing Positions	
<i>Week 16:</i> Writing Numbers.....	64
Positioning Numerals	
Greatest & Least Value	
<i>Week 17:</i> Writing Numbers.....	68
Positioning Numerals	
Greatest & Least Value	
<i>Week 18:</i> Writing Numbers.....	72
Positioning Numerals	
Greatest & Least Value	
Decimal Information.....	76
<i>Week 19:</i> Tenths.....	77
<i>Week 20:</i> Hundredths.....	81
<i>Week 21:</i> Thousandths.....	85
<i>Week 22:</i> Ten Thousandths.....	89
<i>Week 23:</i> Tenths, Hundredths, Thousandths.....	93

Week 24: Tenths, Hundredths, Thousandths.....97

Week 25: Decimal Place Value Identification101

Week 26: Decimal Place Value Identification105

Week 27: Decimal Place Value Identification109

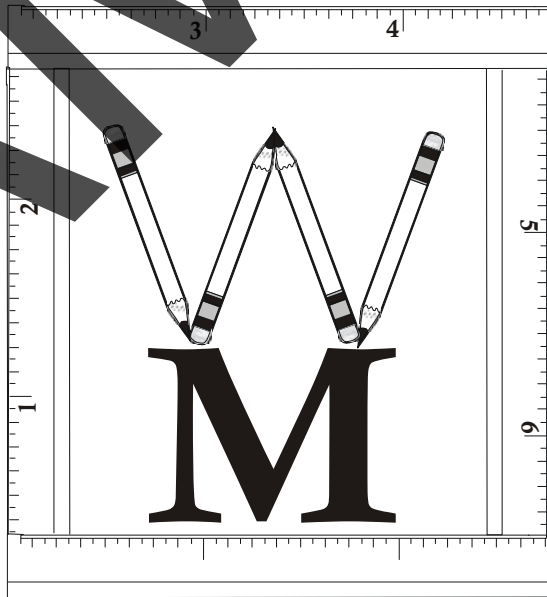
Week 28: Writing Numbers with Decimals113
 Written Form
 Greatest & Least Value

Week 29: Writing Numbers with Decimals117
 Written Form
 Greatest & Least Value

Week 30: Writing Numbers with Decimals121
 Written Form
 Greatest & Least Value

Answer Sheet125

SAMPLE



WriteMath Enterprises
www.writemath.com

Centers in the 'Just Turn & Share' Math Center Series:

1. Algebra
2. Calendar
3. Estimation
4. Fractions & Decimals
5. Geometry
6. Graph
7. Grid
8. Linear Measure
9. Money
10. Number Sense
11. Place Value
12. Temperature
13. Thinking: Range, Median, Mode, Mean
14. Time
15. Volume
16. Weight & Mass

For more information:

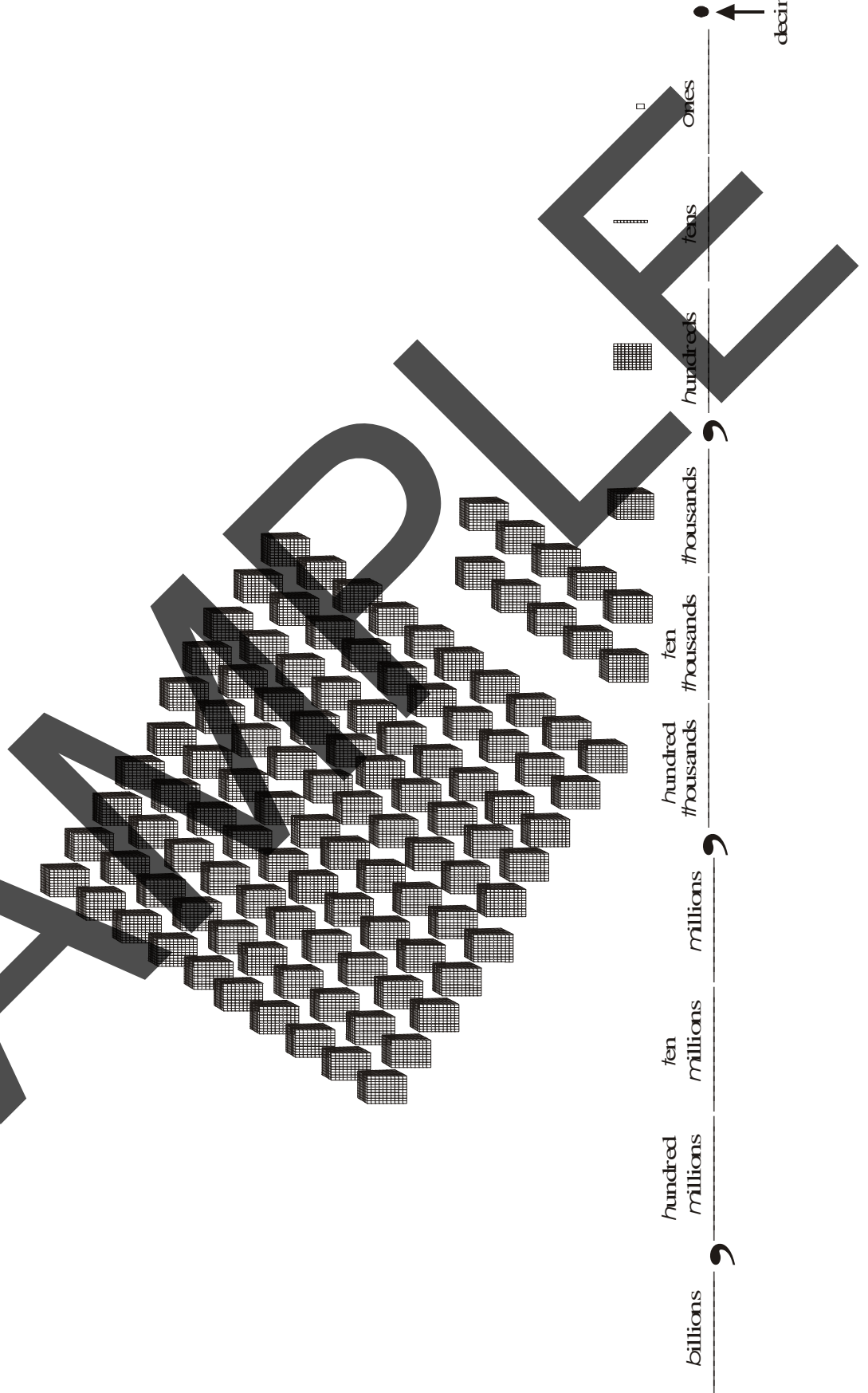
WriteMath Enterprises
2303 Marseille Ct. Suite 104
Valrico, FL. 33594
(813) 685 – 0392
website: www.writemath.com



SAMPLE

SAY Whole Numbers

Increase going to the left



Place Value

(Day #1)

1,325,467

- A.** Which digit is in the ones place?
- B.** Write the digit that is in the tens place.
- C.** Which digit is in the hundreds place?
- D.** Increase the number above by 100. Write the new number.

* A
** B
*** C & D

Place Value

(Day #2)

3,796,584

- A.** Which digit is in the ones place?
- B.** Write the digit that is in the tens place.
- C.** Which digit is in the hundreds place?
- D.** Increase the number above by 100. Write the new number.

* B
** C
*** A & D

Place Value

(Day #3)

7,132,645

- A.** Which digit is in the ones place?
- B.** Write the digit that is in the tens place.
- C.** Which digit is in the hundreds place?
- D.** Increase the number above by 100. Write the new number.

* C
** A
*** B & D

Place Value

(Day #4)

5,945,301

- A.** Which digit is in the ones place?
- B.** Write the digit that is in the tens place.
- C.** Which digit is in the hundreds place?
- D.** Increase the number above by 100. Write the new number.

* A
** B
*** C & D

Place Value

(Day #1)

5,793,460

- A.** Which digit is in the tens place?
- B.** Write the digit that is in the hundreds place.
- C.** Which digit is in the thousands place?
- D.** Increase the number above by 1000. Write the new number.

* A
** B
*** C & D

Place Value

(Day #2)

9,281,374

- A.** Which digit is in the tens place?
- B.** Write the digit that is in the hundreds place.
- C.** Which digit is in the thousands place?
- D.** Increase the number above by 1000. Write the new number.

* B
** C
*** A & D

Place Value

(Day #3)

2,013,486

- A.** Which digit is in the tens place?
- B.** Write the digit that is in the hundreds place.
- C.** Which digit is in the thousands place?
- D.** Increase the number above by 1000. Write the new number.

* C
** A
*** B & D

Place Value

(Day #4)

9,302,176

- A.** Which digit is in the tens place?
- B.** Write the digit that is in the hundreds place.
- C.** Which digit is in the thousands place?
- D.** Increase the number above by 1000. Write the new number.

* A
** B
*** C & D